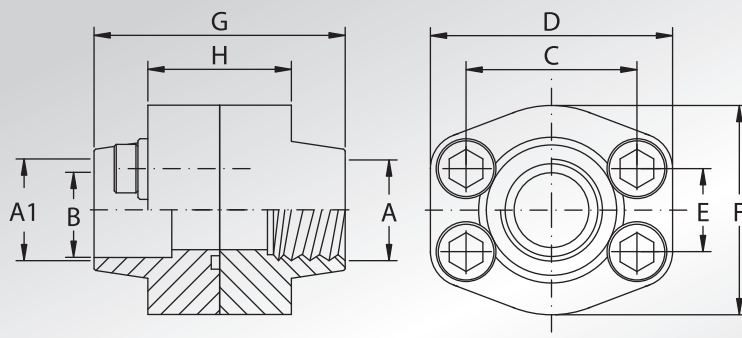




DOPPIE FLANGE FILETTATE GAS E A SALDARE DI TASCA

**BSP THREADED AND
WELD IN
DOUBLE FLANGES**



Pressione max di esercizio raccomandata Kg/cm ²	Grandezza	Tipo	Dimensioni									Viti		Or tipo	Peso Kg
Maximum recommended working pressure Kg/cm ²	Size	Type	Dimensions									Screws		Or type	Weight Kg
			A	A1	B	C	D	E	F	G	H	Metric	Unc		

SERIE 3000

345	1/2"	DFS080F	1/2" GAS	21,6	13	38,10	57	17,48	46	72	32	M8x30	5/16"x1"1/4	4075	0,57
345	1/2"	DFS080F038	3/8" GAS	17,5	13	38,10	57	17,48	46	72	32	M8x30	5/16"x1"1/4	4075	0,61
345	3/4"	DFS100F	3/4" GAS	27,2	19	47,63	65	22,23	50	72	36	M10x35	3/8"x1"1/2	4100	0,90
345	1"	DFS102F	1" GAS	34,0	25	52,37	70	26,19	55	76	36	M10x35	3/8"x1"1/2	4131	1,06
276	1"1/4	DFS104F	1"1/4 GAS	42,8	32	58,72	79	30,18	68	82	42	M10x40	7/16"x1"3/4	4150	1,50
207	1"1/2	DFS106F	1"1/2 GAS	48,6	38	69,85	93	35,71	78	90	50	M12x45	1/2"x1"3/4	4187	2,36
207	2"	DFS108F	2" GAS	61,0	51	77,77	102	42,88	90	90	50	M12x45	1/2"x1"3/4	4225	2,61
172	2"1/2	DFS110F	2"1/2 GAS	76,6	63	88,90	114	50,80	105	100	50	M12x45	1/2"x1"3/4	4275	3,40
138	3"	DFS112F	3" GAS	90,5	73	106,38	134	61,93	124	100	54	M16x50	5/8"x2"	4337	4,89
34	3"1/2	DFS114F	3"1/2 GAS	103,0	89	120,65	152	69,85	136	96	54	M16x50	5/8"x2"	4387	5,29
34	4"	DFS116F	4" GAS	115,5	99	130,18	162	77,77	146	96	54	M16x50	5/8"x2"	4437	6,00
34	5"	DFS118F	5" GAS	142,0	120	152,40	184	92,08	180	100	56	M16x55	5/8"x2"1/4	4537	12,12

SERIE 6000

414	1/2"	DFS401F012	1/2" GAS	21,6	13	40,49	57	18,24	46	72	32	M8x30	5/16"x1"1/4	4075	0,57
414	1/2"	DFS401F038	3/8" GAS	17,5	13	40,49	57	18,24	46	72	32	M8x30	5/16"x1"1/4	4075	0,62
414	3/4"	DFS402F	3/4" GAS	27,2	19	50,80	71	23,80	55	70	42	M10x40	3/8"x1"1/2	4100	1,19
414	1"	DFS403F	1" GAS	34,0	25	57,15	81	27,76	65	84	50	M12x45	7/16"x1"3/4	4131	1,88
414	1"1/4	DFS404F	1"1/4 GAS	42,8	32	66,68	95	31,75	78	90	54	M14x45	-	4150	2,63
414	1"1/4	DFS404FL13	1"1/4 GAS	42,8	32	66,68	95	31,75	78	90	54	M12x45	1/2"x1"3/4	4150	2,63
414	1"1/2	DFS405F	1"1/2 GAS	48,6	38	79,38	112	36,50	94	100	60	M16x55	5/8"x2"1/4	4187	4,19
414	2"	DFS406F	2" GAS	61,0	51	96,82	134	44,45	114	130	74	M20x70	3/4"x2"3/4	4225	7,64
414	2"1/2	DFS507F *	2"1/2 GAS	76,6	63	123,80	180	58,70	152	160	90	M24x80	7/8"x3"1/4	4275	15,85
414	3"	DFS508F *	3" GAS	90,5	73	152,40	208	71,40	178	180	110	M30x100	1"1/8"x3"1/2	4337	26,2

DESIGNAZIONE PER ORDINE DESIGNATION FOR ORDER

Flangia a saldare di tasca + controflangia filettata gas + set viti metriche
Weld in flange + BSP threaded counter-flange + metric screws set

Materiale / Material	
S355	AISI 316L

DFS...FM **DFX...FM**

Flangia a saldare di tasca + controflangia filettata gas + set viti unc
Weld in flange + BSP threaded counter-flange + unc screws set

DFS...FU **DFX...FU**

NOTE / NOTES

set viti unc disponibili solo in acciaio al carbonio
unc screws set available only in carbon steel

*set viti disponibili solo metriche in acciaio al carbonio
*screws set available only metric in carbon steel